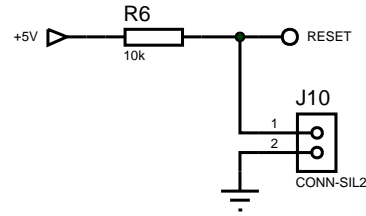
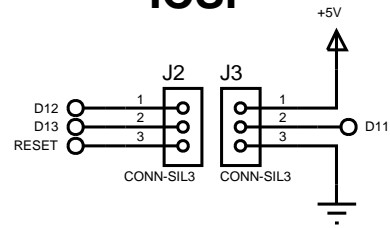


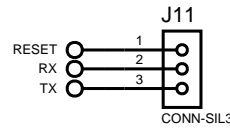
RESET



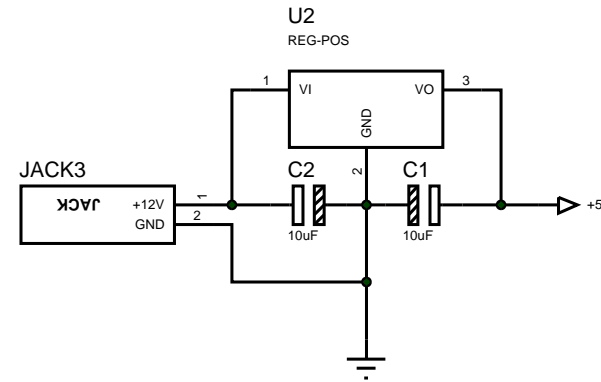
ICSP



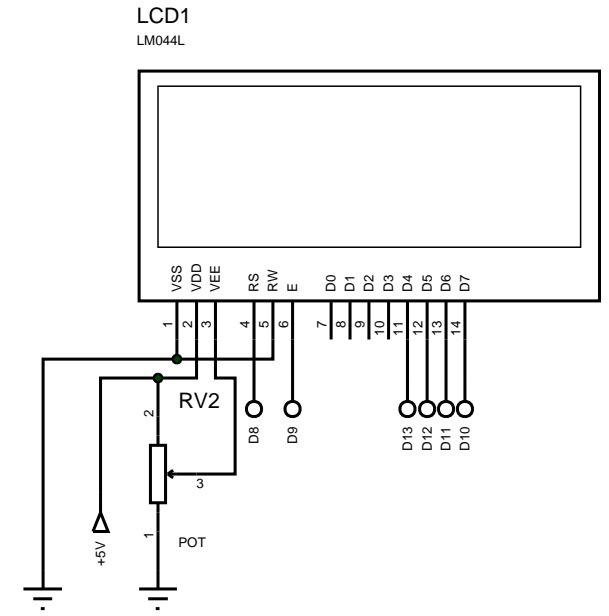
ArduinoISP



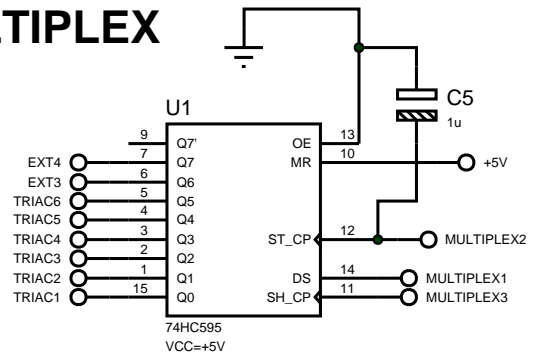
Alimentation 9V -> 5V



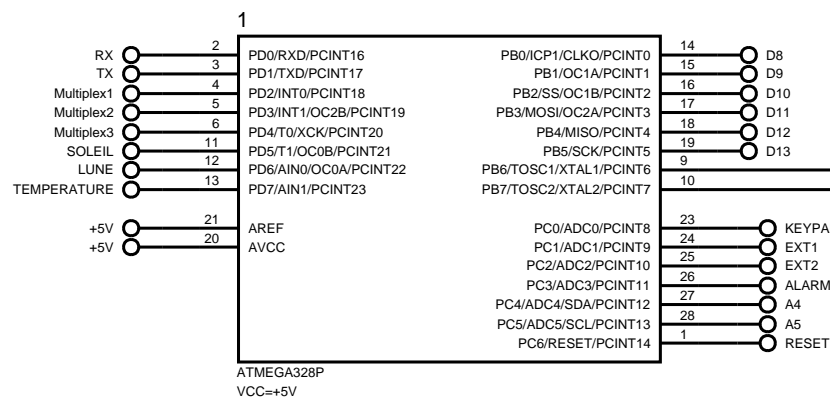
Ecran LCD



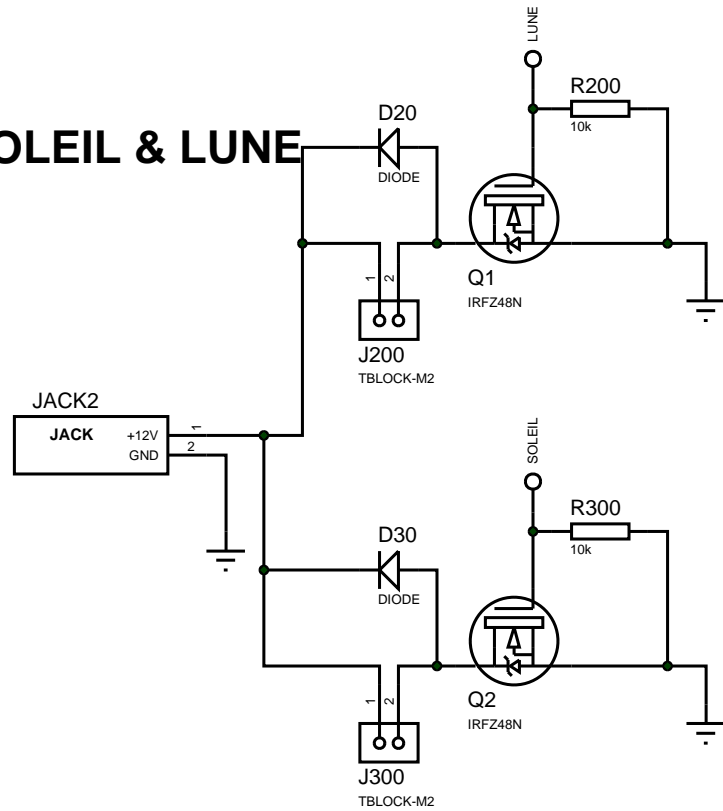
MULTIPLEX



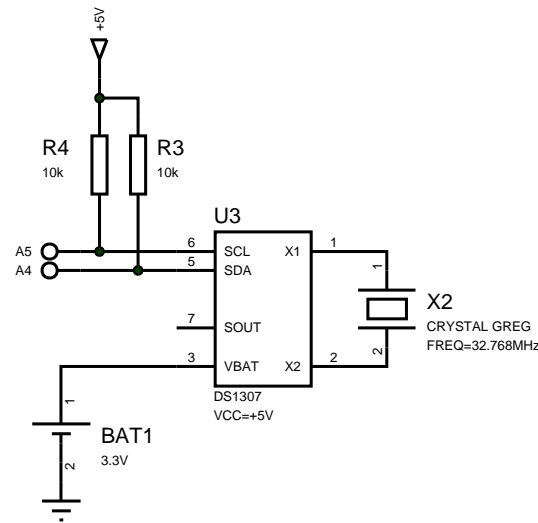
ATMEGA328



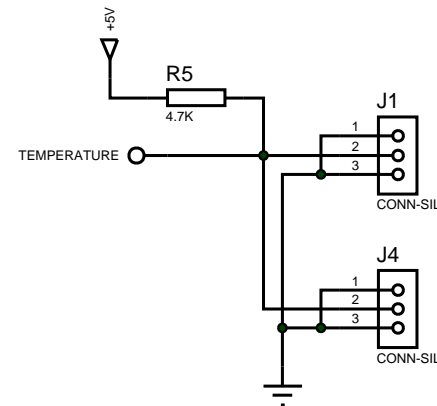
SOLEIL & LUNE



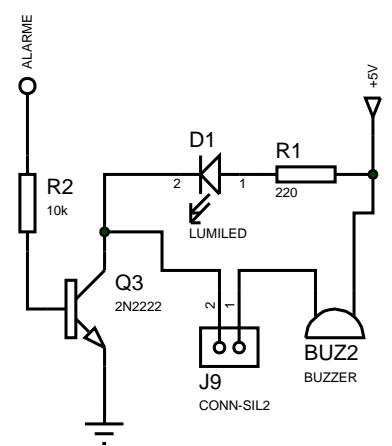
HORLOGE

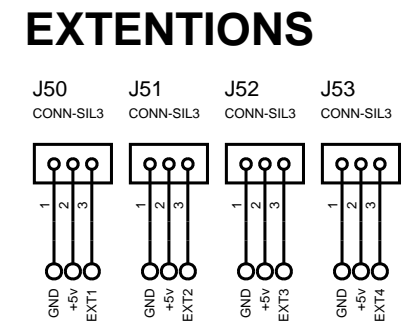
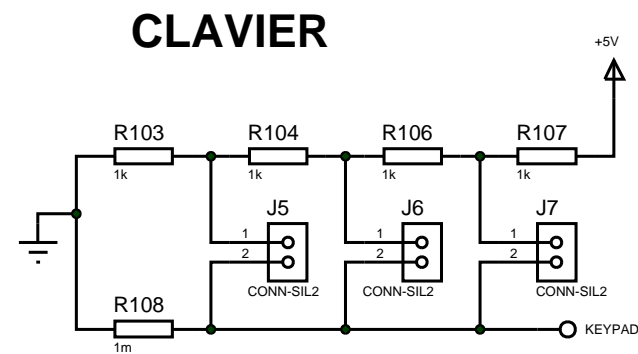
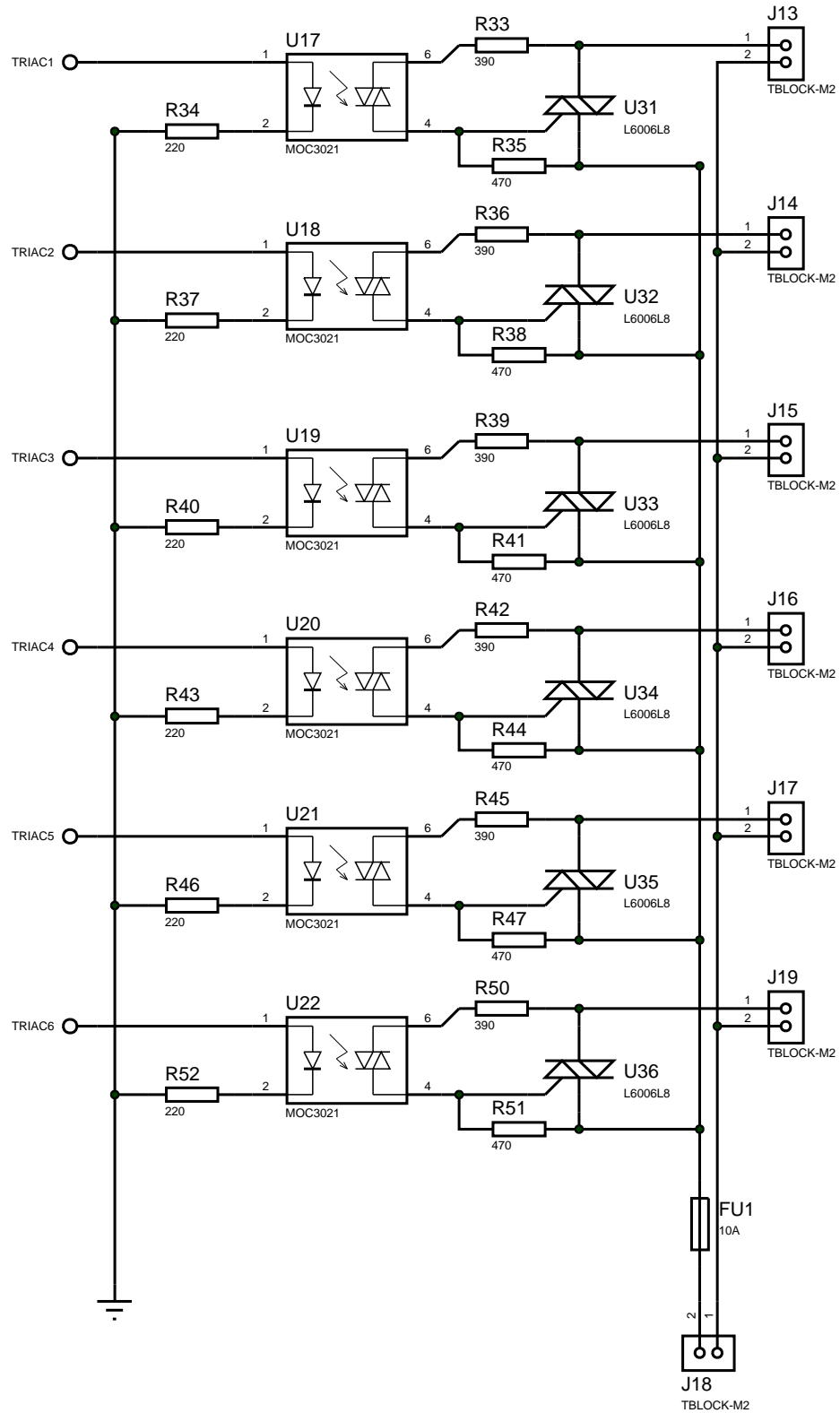


TEMPERATURE



ALARME





FILE NAME: Myfish Fishmat 1.2.DSN	DATE: 24/01/2012
DESIGN TITLE: FISHMAT	PAGE: 2 OF 2
PATH: Triacs\Arduino\Projets\Myfish Fishmat (Eau douce)\SIS\Myfish Fishmat 1.2.DSN	REV: 0.1
BY: Grégory Darche - Myfish System	TIME: 14:57:51