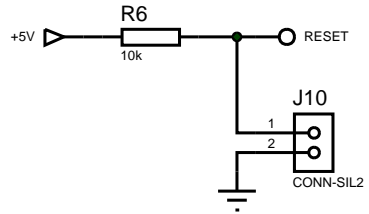
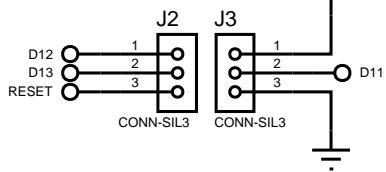


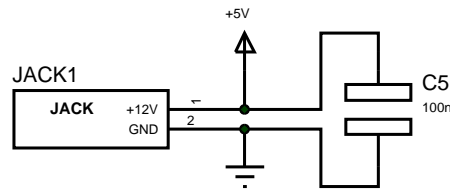
### RESET



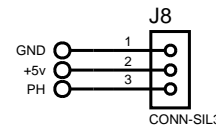
### ICSP



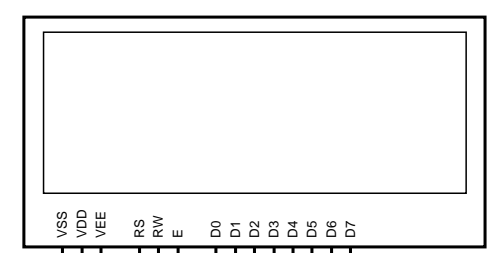
### ALIMENTATION



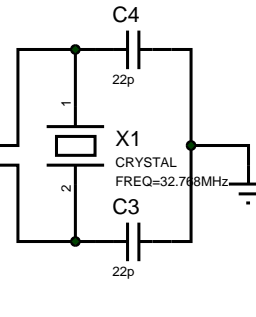
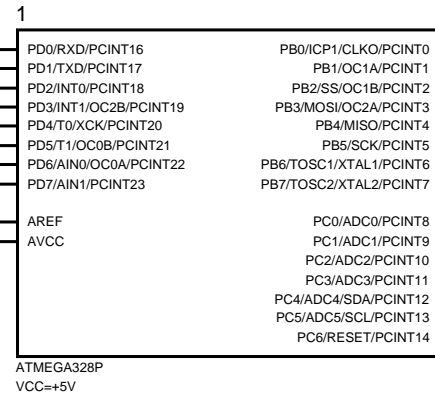
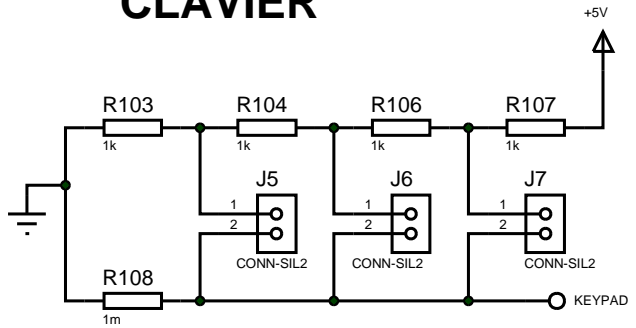
### PH



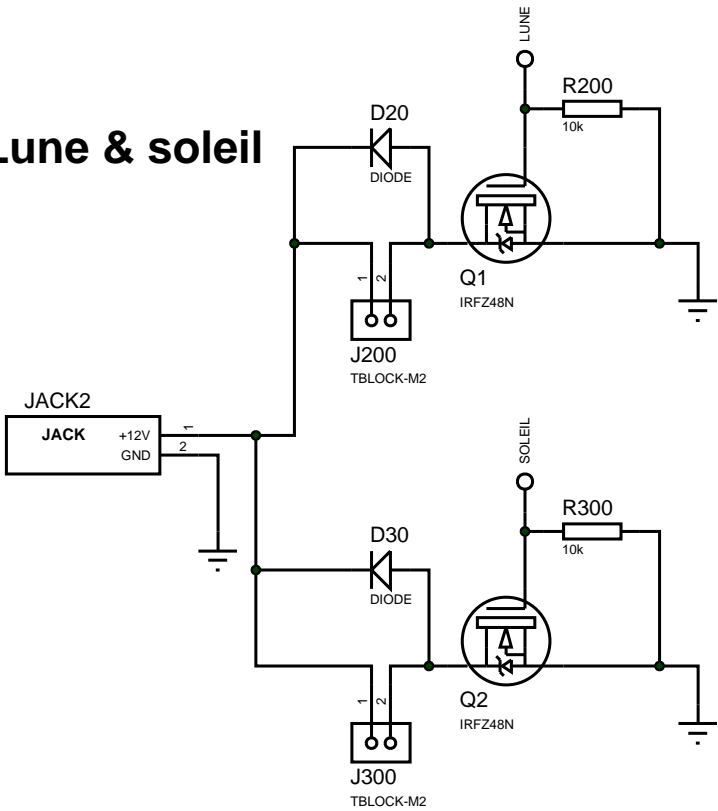
### LCD1



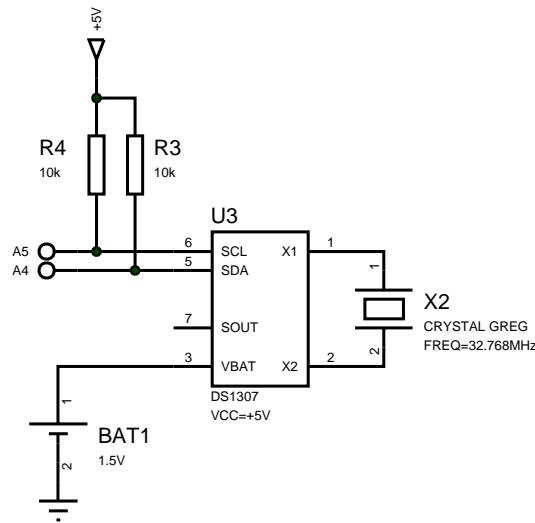
### CLAVIER



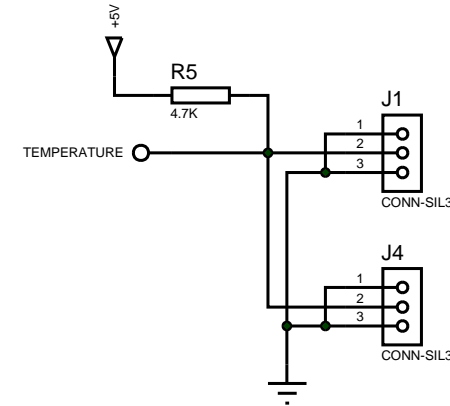
### Lune & soleil



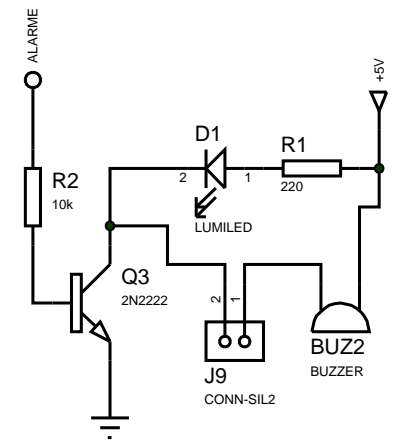
### Horloge



### Temperatures



### Alarmes



FILE NAME:	<b>Myfish Fishmat 1.2.DSN</b>	DATE:	<b>19/01/2012</b>
DESIGN TITLE:	<b>FISHMAT</b>	PAGE:	<b>1</b>
PATH:	C:\Users\Tetardo\Desktop\Arduino\Projets\Myfish Fishmat (Çau douce)\SISMY	BY:	Grégory Darche - Myfish System
REV:	0.1	TIME:	03:34:50