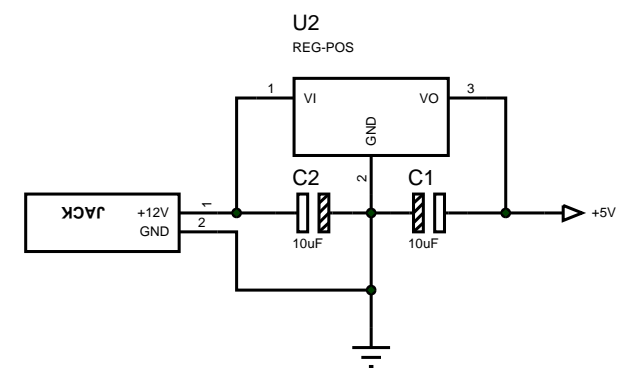


### Alimentation 9V -> 5V



FILE NAME: <b>Myfish Fishmat 1.2.DSN</b>	DATE: <b>19/01/2012</b>
DESIGN TITLE: <b>FISHMAT</b>	PAGE: <b>2</b>
PATH: <b>Triacs:\Users\Tetardo\Desktop\Arduino\Projets\Myfish Fishmat (Eau douce)\SIS\Myfish Fis</b>	REV: <b>0.1</b>
BY: <b>Grégory Darche - Myfish System</b>	TIME: <b>16:54:54</b>